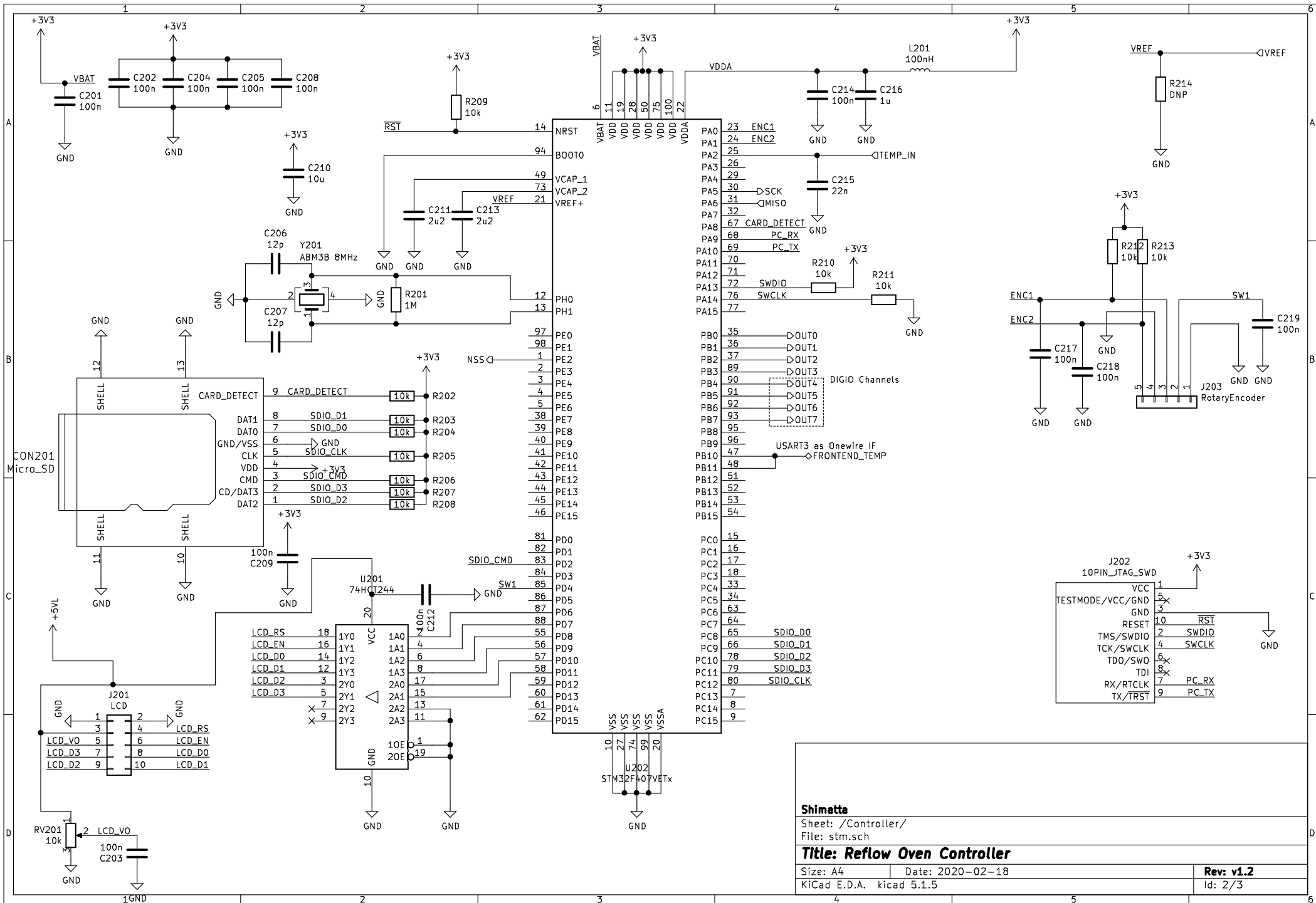
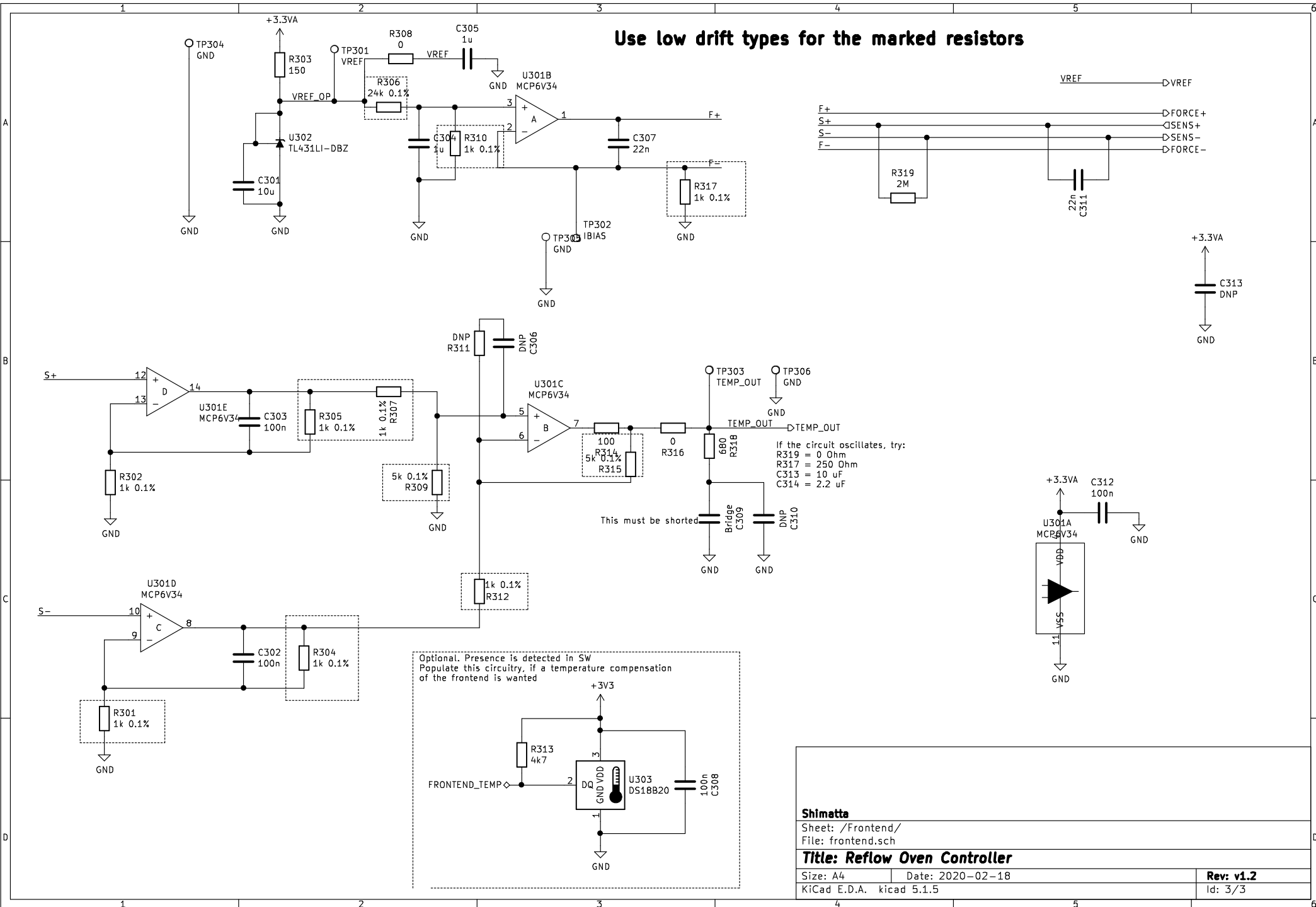


Shimatta
 Sheet: /
 File: reflow-oven-control-pcb.sch
Title: Reflow Oven Controller
 Size: A4 Date: 2020-02-18
 KiCad E.D.A. kicad 5.1.5
 Rev: v1.2
 Id: 1/3



Shimatta	
Sheet: /Controller/	
File: stm.sch	
Title: Reflow Oven Controller	
Size: A4	Date: 2020-02-18
KiCad E.D.A. kicad 5.1.5	Rev: v1.2
	Id: 2/3

Use low drift types for the marked resistors



If the circuit oscillates, try:
 R319 = 0 Ohm
 R317 = 250 Ohm
 C313 = 10 uF
 C314 = 2.2 uF

This must be shorted

Optional. Presence is detected in SW
 Populate this circuitry, if a temperature compensation
 of the frontend is wanted

Shimatta	
Sheet: /Frontend/	
File: frontend.sch	
Title: Reflow Oven Controller	
Size: A4	Date: 2020-02-18
KiCad E.D.A. kicad 5.1.5	Rev: v1.2
	Id: 3/3