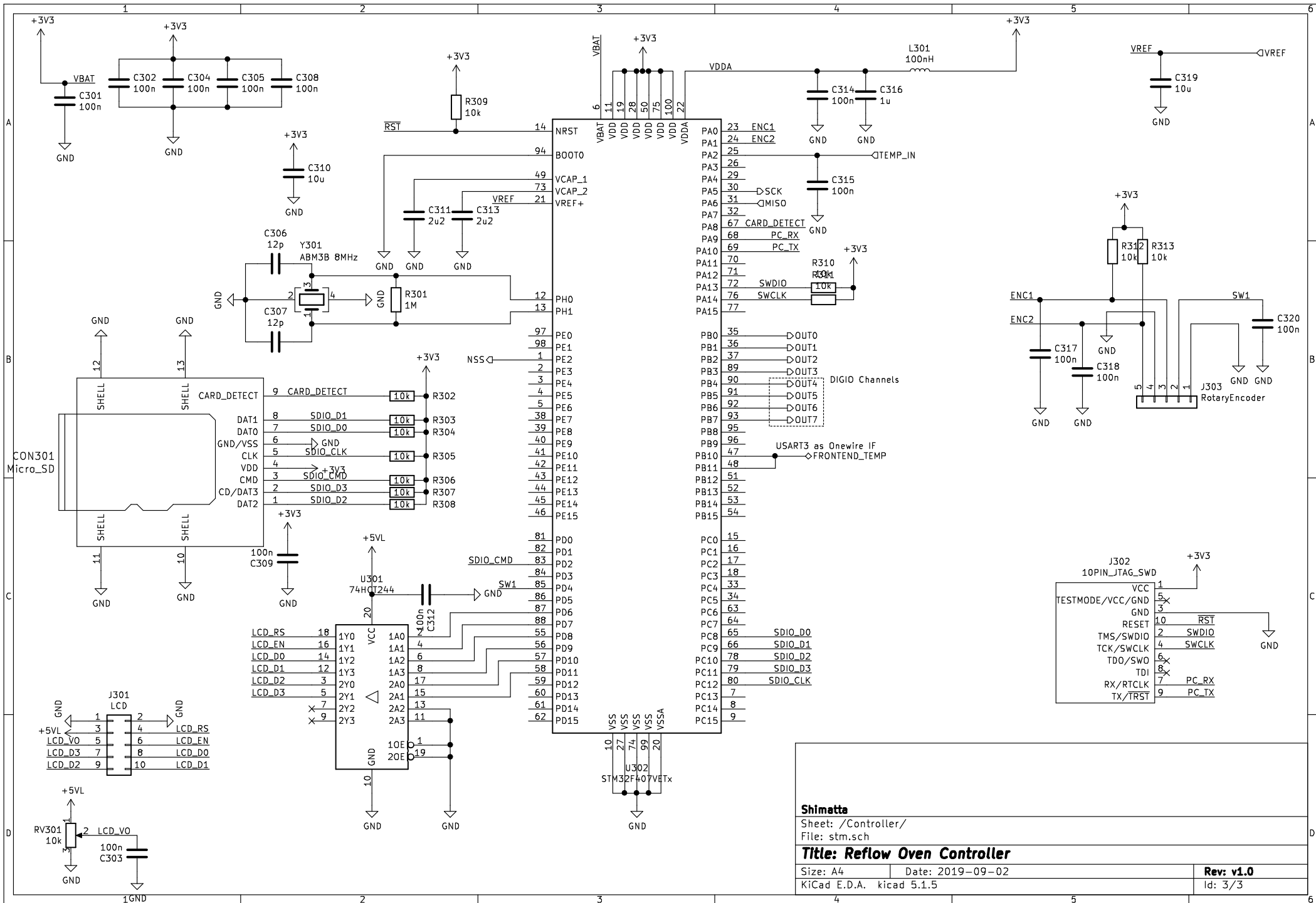


**Shimatta**  
 Sheet: /  
 File: reflow-oven-control-pcb.sch  
**Title: Reflow Oven Controller**

Size: A4	Date: 2019-09-02	Rev: v1.0
KiCad E.D.A. kicad 5.1.5	Id: 1/3	





<b>Shimatta</b>	
Sheet: /Controller/	
File: stm.sch	
<b>Title: Reflow Oven Controller</b>	
Size: A4	Date: 2019-09-02
KiCad E.D.A. kicad 5.1.5	<b>Rev: v1.0</b>
	Id: 3/3