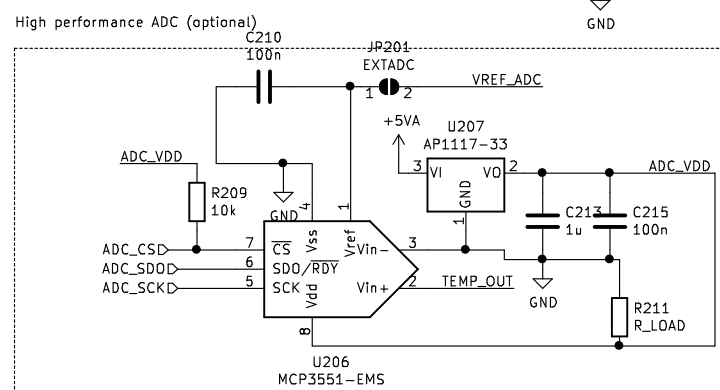
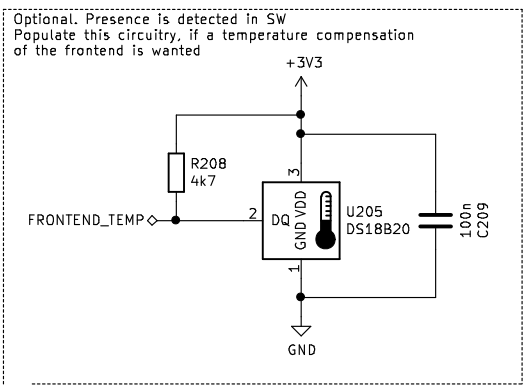
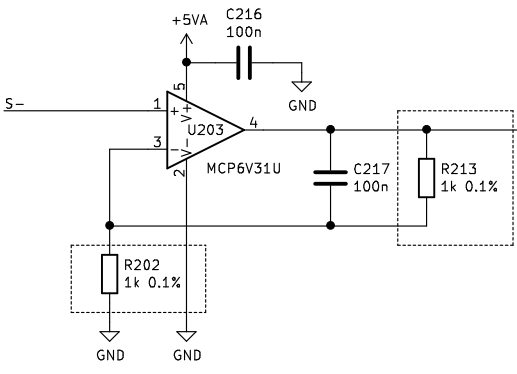
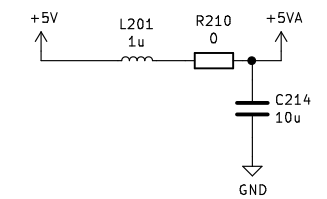
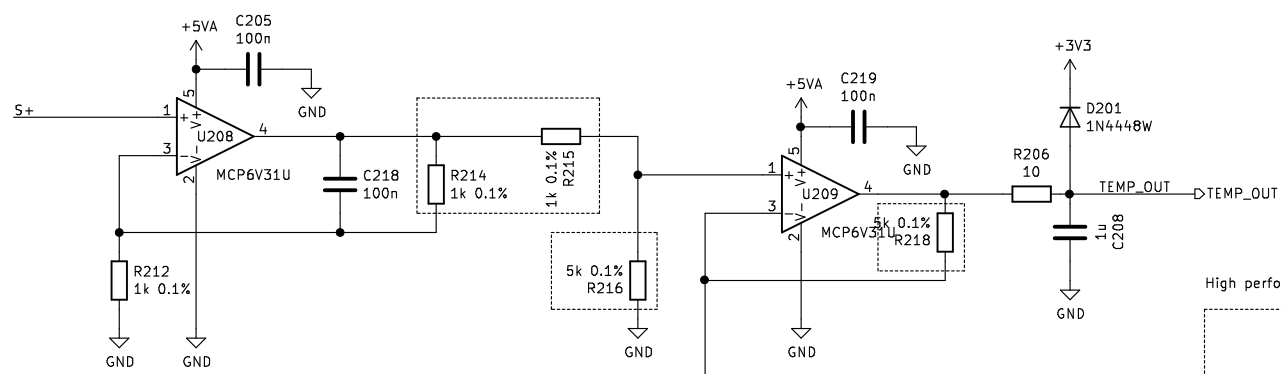
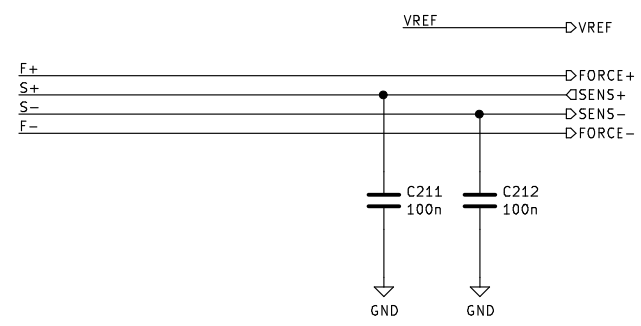
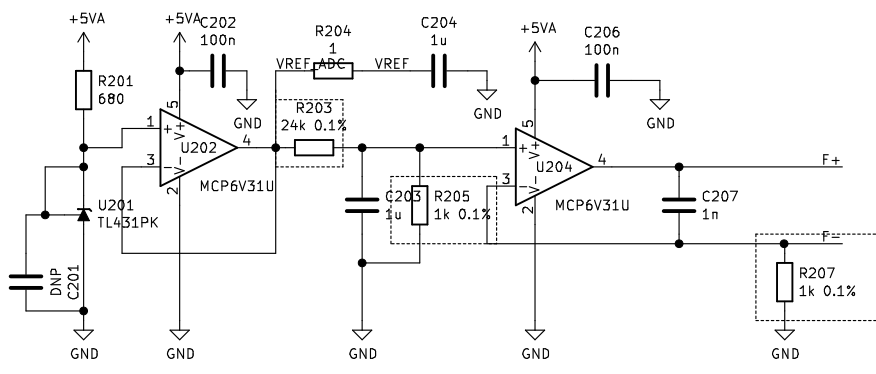
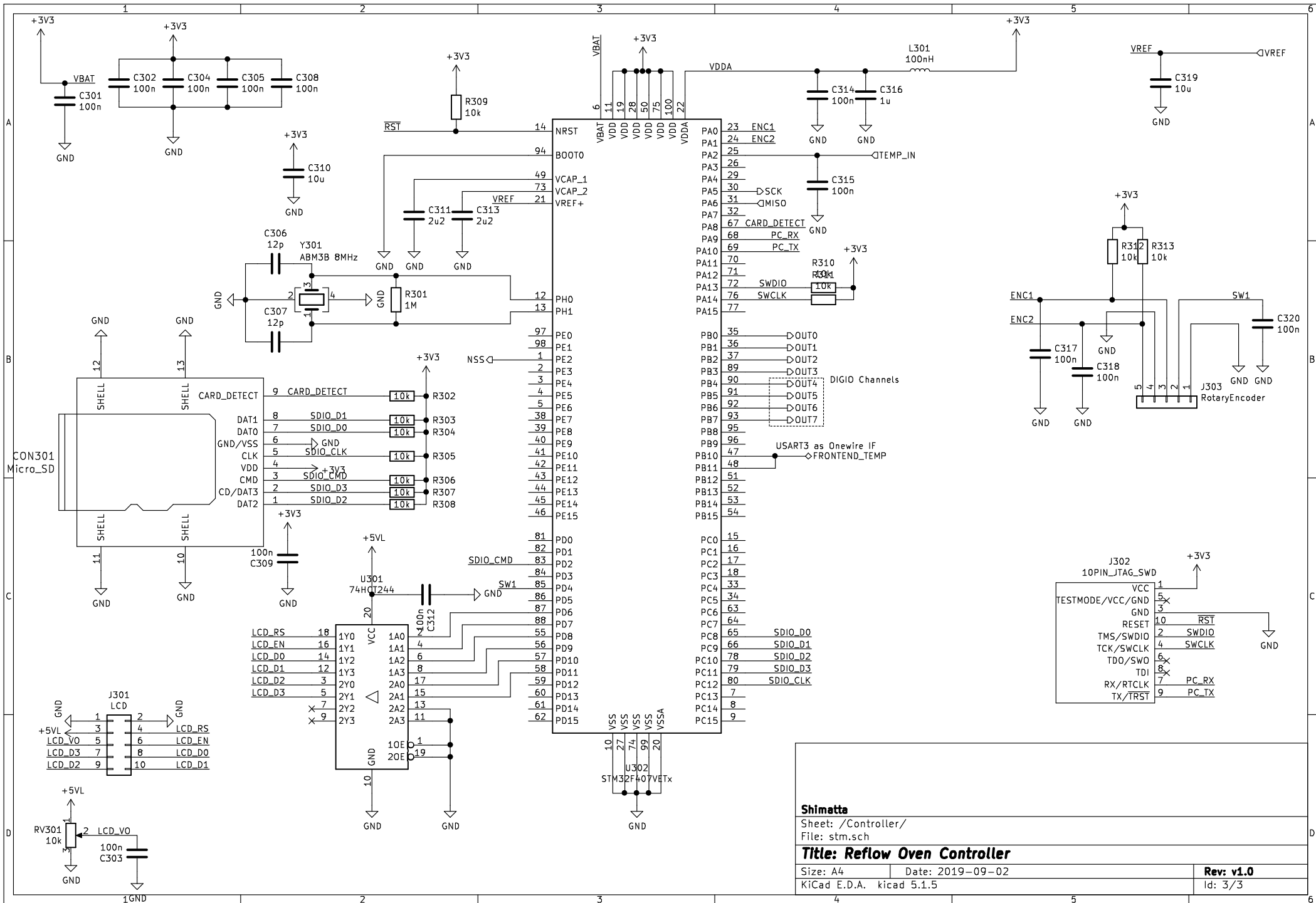


Shimatta
 Sheet: /
 File: reflow-oven-control-pcb.sch
Title: Reflow Oven Controller

Size: A4	Date: 2019-09-02
KiCad E.D.A. kicad 5.1.5	Rev: v1.0
	Id: 1/3

Use low drift types for the marked resistors





Shimatta	
Sheet: /Controller/	
File: stm.sch	
Title: Reflow Oven Controller	
Size: A4	Date: 2019-09-02
KiCad E.D.A. kicad 5.1.5	Rev: v1.0
	Id: 3/3